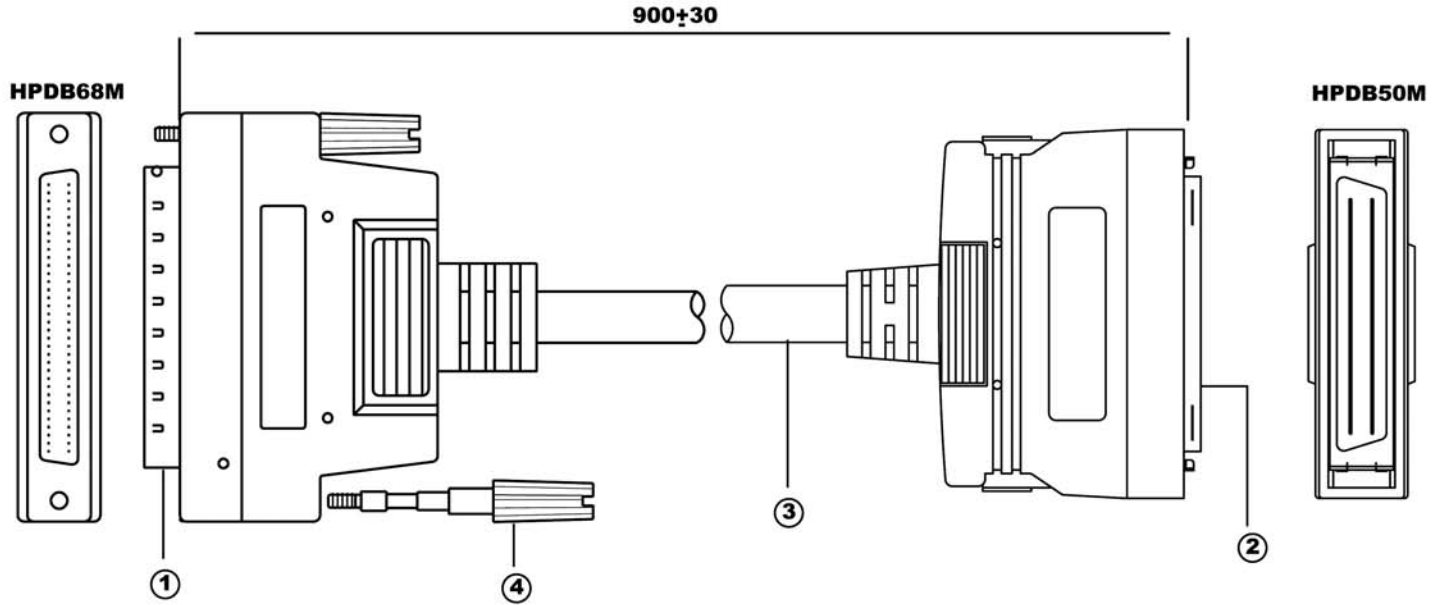
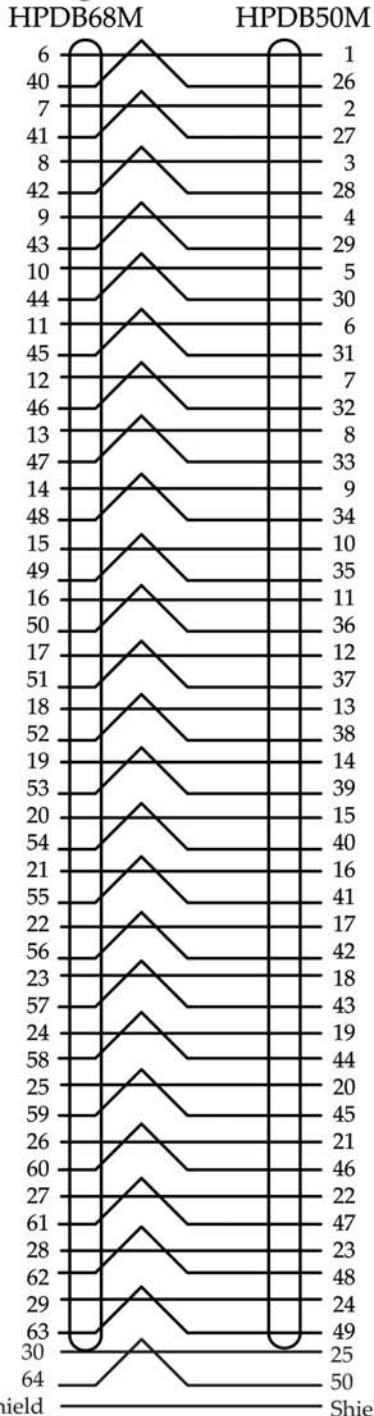


Configuration:



Material:

- 1.Cable: UL2919, #28,25P+AL/MY+1+B O.D:9.5(I.D=0.75)
- 2.Connector:HPDB68M, I.D.C
HPDB50M,I.D.C
- 3.Thumbscrew:#2-56UNC
- 4.Copper Tape:(10x135)+(35x110)
(10x105)+(25x85)

Note:

- 1.Total Length:900±30mm
Cable Cut:950mm
- 2.Color: Beige
- 3.Molded Type
- 4.360°Solder

RoHS
Compliant

ITEM NO	AK-Y1303-R (3 Feet)
TITLE	Cable SCSI-3 Adapter 50 Conductor 50 Pin (HPDB50) to 68 Pin (HPDB68)

ASSMANN
Electronics, Inc.

1840 W. Drake Drive, Suite 101 - Tempe, AZ 85283
Toll Free: 1-877-277-6266 Email: info@usa-assmann.com

THIS DRAWING IS UNPUBLISHED
© Copyright 2008 by Assmann Electronic Components
All International Rights Reserved